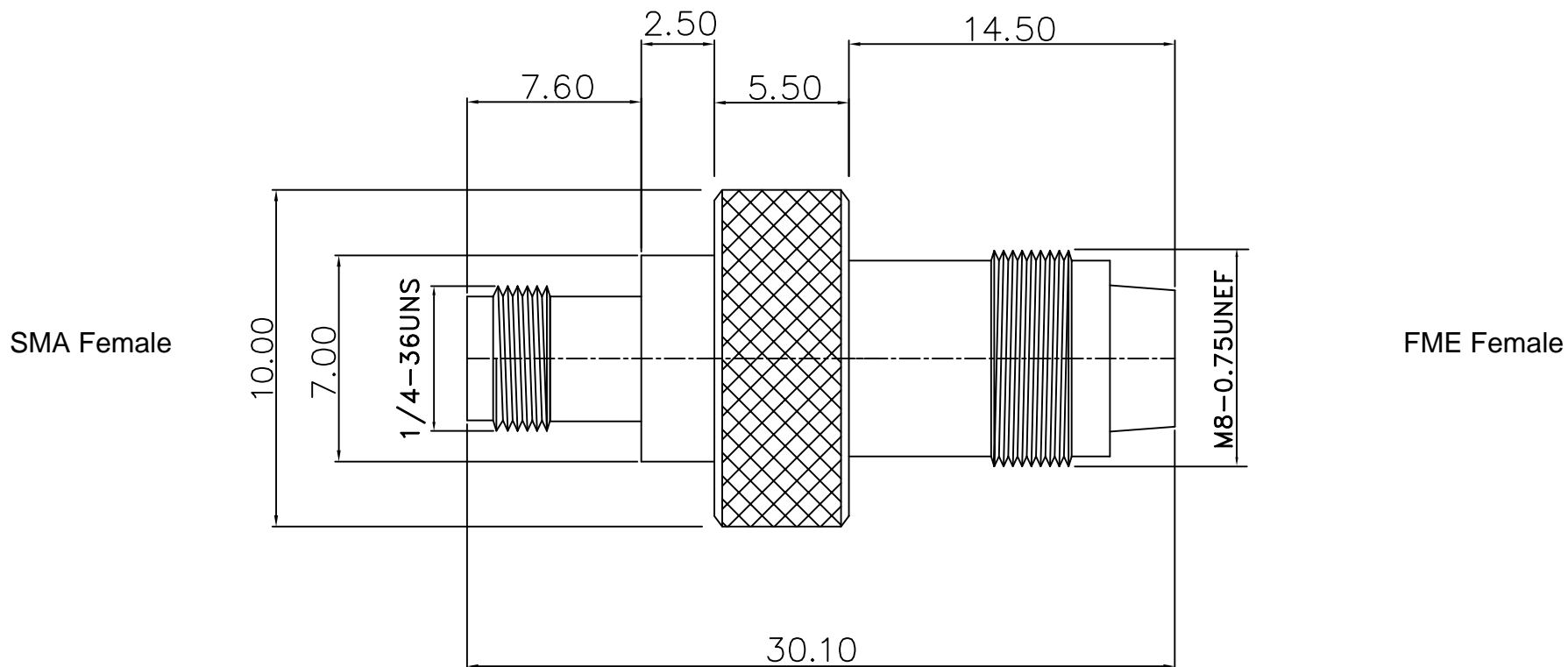



REV	DESCRIPTION	DRAWN	DATE



6	DIELECTRIC	1	TEFLON	NONE
5	GASKET	1	BRASS	NICKEL
4	PRESS FIT FERRULE	1	BRASS	NICKEL
3	DIELECTRIC	1	DELRIN	NONE
2	PIN	1	BRASS	GOLD
1	BODY	1	BRASS	NICKEL
NO	Description	Qty	Material	Finish

UNLESS OTHERWISE SPECIFIED	* MAJOR DIMENSION	APPROVED
1. REMOVE ALL BURRS.	UNLESS OTHERWISE NOTED TOLERANCES	Danny
2. BREAK ALL CORNERS & EDGES CO.15 MAX.	0.5-6=±0.2	CHECKED
3. CHAMFER 1ST & LAST THREADS 45°.	6-30=±0.4	Danny
4. DIAMETERS ON COMMON CENTERS.	30-120=±0.6	DRAWN
TO BE CONCENTRIC WITHIN 0.1 T.I.R.	120-315=±1.0	Andrew
5. ALL DIMENSIONS ARE AFTER PLATING.	ANGLES=±1°	
SCALE	5/2	UNIT
		MM
DRAWN DATE	03/06/20	FILE NO.



Siretta

Enabling Industrial IoT

TITLE
 FME JACK TO SMA JACK

DRAWING NO. ADAPT/FMEF/SMAF **REV** A

FILE NO.