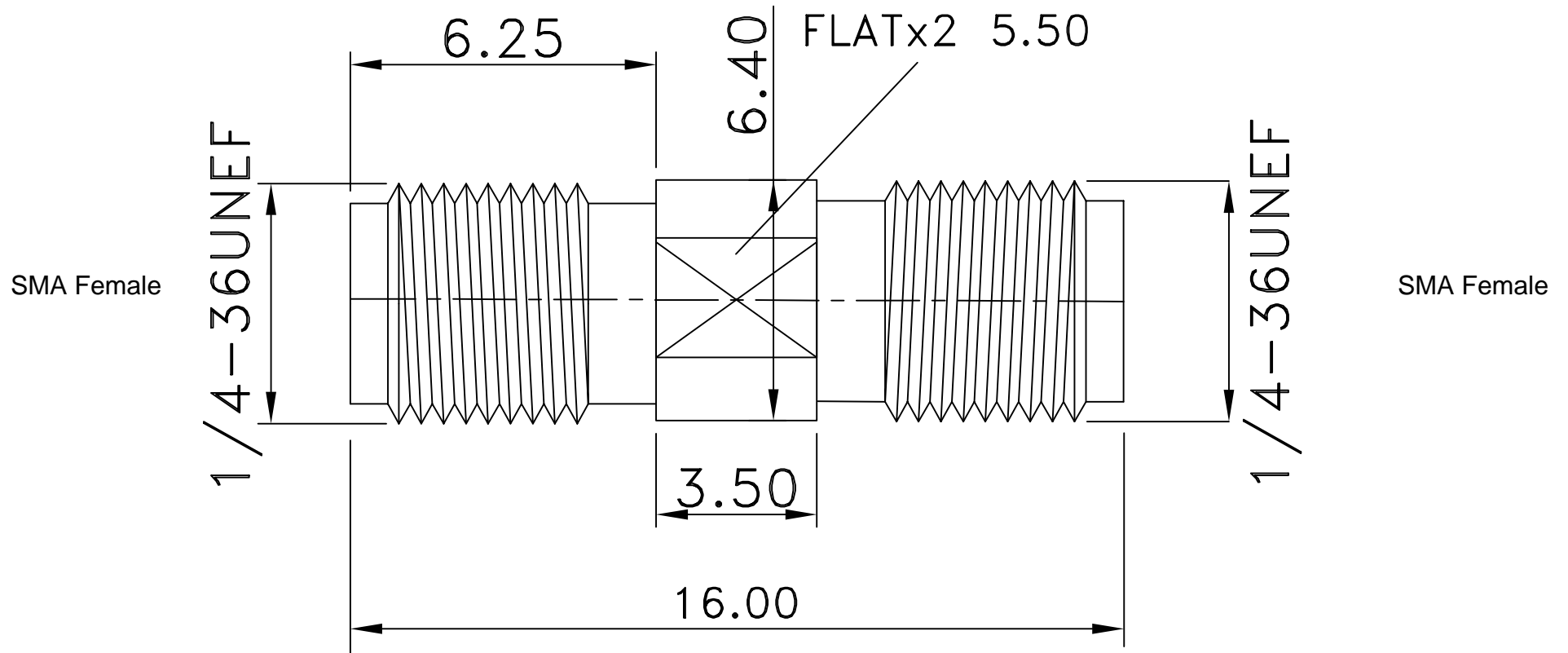



REV	DESCRIPTION	DRAWN	DATE



UNLESS OTHERWISE SPECIFIED					* MAJOR DIMENSION				APPROVED		 Siretta <small>Enabling Industrial IoT</small>	
3	PIN	1	Be Cu	GOLD	UNLESS OTHERWISE NOTED TOLERANCES 0.5-6=±0.2 6-30=±0.4 30-120=±0.6 120-315=±1.0 ANGLES=±1°				Danny CHECKED			
2	INSULATOR	1	TEFLON	NONE					Andrew DRAWN		Danny CHECKED	
1	BODY	1	BRASS	NICKEL	1.REMOVE ALL BURRS. 2.BREAK ALL CONNERS & EDGES CO.15 MAX. 3.CHAMFER 1ST & LAST THREADS 45°. 4.DIAMETERS ON COMMON CENTERS. TO BE CONCENTRIC WITHIN 0.1 T.I.R. 5.ALL DIMENSIONS ARE AFTER PLATING.				Andrew DRAWN		REV A	
NO	Description	Qty	Material	Finish					SCALE 3/1		UNIT MM	