

ASMKxxxX174S11

MMCX-Male Right Angle to SMA-Female Rear Mount Bulkhead RG174 Cable Assembly



Key Features

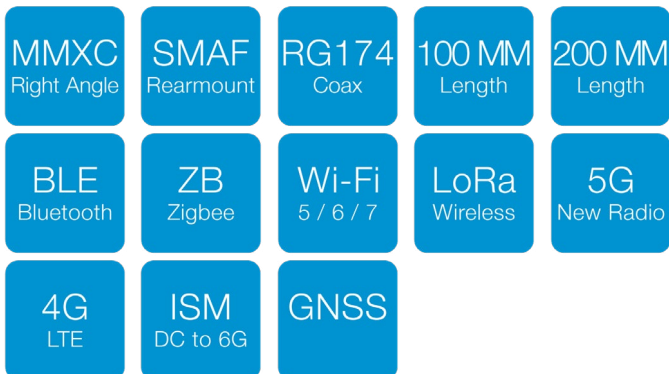
- Connector 1: MMCX-Male Right Angle
- Connector 2: SMA Female Bulkhead Rear Mount
- RG174 Coaxial Cable
- Impedance: 50Ω
- Lengths: 100mm / 150mm / 200mm / Customisation Available
- Suggested Working Frequency: DC to 6GHz

Typical Applications

- MMCX connector, ideal for compact wireless devices requiring secure, high-performance RF connectivity.
- SMA Female Bulkhead Rear Mount connector for secure panel installation.
- Industrial routers, external antennas, test equipment, RF modules requiring repeated connection, IoT gateways.

Environmental Specifications

- Operating Temperature: -40 to +90 °C
- RoHS and REACH compliant



Ordering Details:

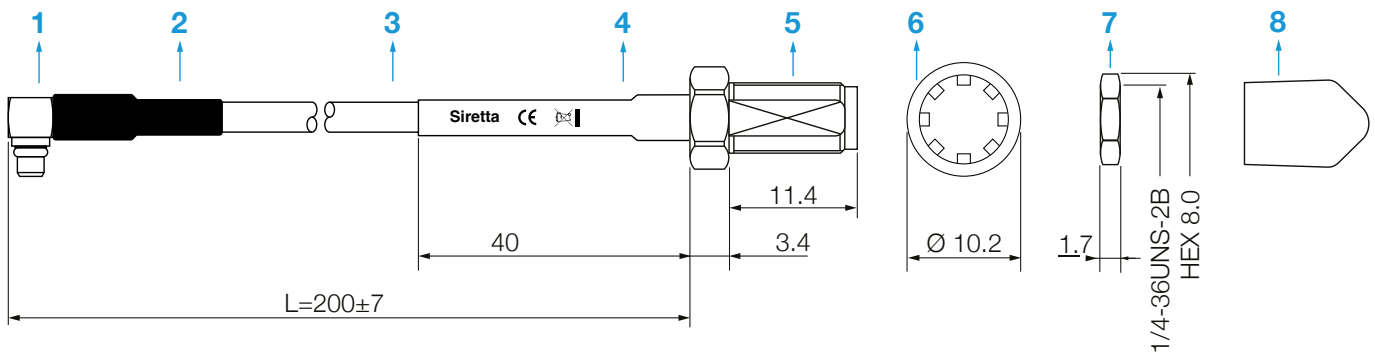
Part Number	Description
ASMK010X174S11	MMCX Right Angle to SMA Female Bulkhead Rear Mount 100mm RG174 Cable
ASMK015X174S11	MMCX Right Angle to SMA Female Bulkhead Rear Mount 150mm RG174 Cable
ASMK020X174S11	MMCX Right Angle to SMA Female Bulkhead Rear Mount 200mm RG174 Cable

Customisation Available: We also offer customisation of cable lengths to meet your specific requirements. Whether you need a shorter or longer cable, we can tailor the solution to fit your exact needs - siretta@sales.com

ASMKxxxX174S11

MMCX-Male Right Angle to SMA-Female Rear Mount Bulkhead RG174 Cable Assembly

Dimensional Drawing



Electrical Data

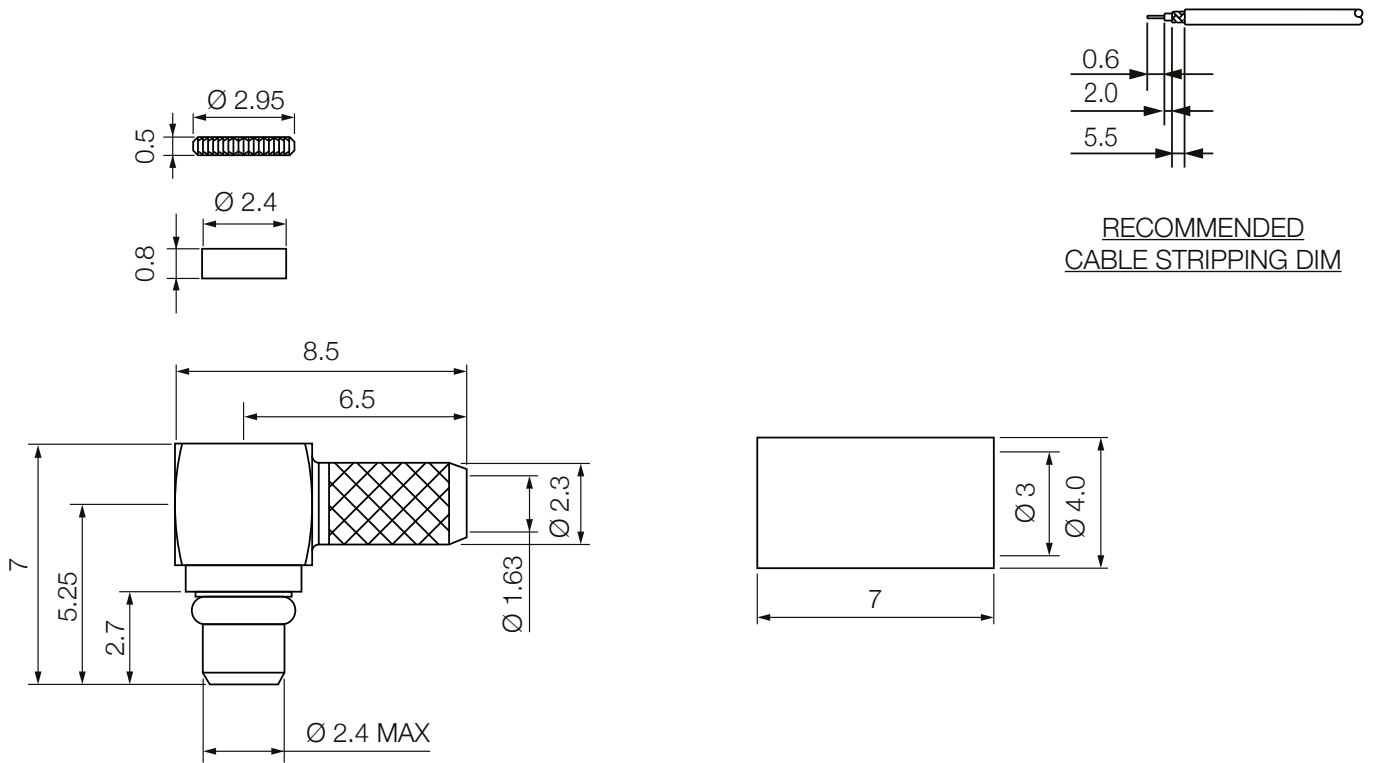
- 100% continuity, short circuit test.
- Impedance: 50 Ω

No.	Description	Quantity
1	MMCX Right Angle Plug	1
2	Heat Shrink (Black)	1
3	RG174-MIT Coaxial Cable	1
4	Heat Shrink (Black)	1
5	SMA Jack Bulkhead Jack	1
6	Washer	1
7	Nut	1
8	PVC Red Cap ID: 5.7mm	1

ASMKxxxX174S11

MMCX-Male Right Angle to SMA-Female Rear Mount Bulkhead RG174 Cable Assembly

MMCX Male Right Angle Detailed Drawing



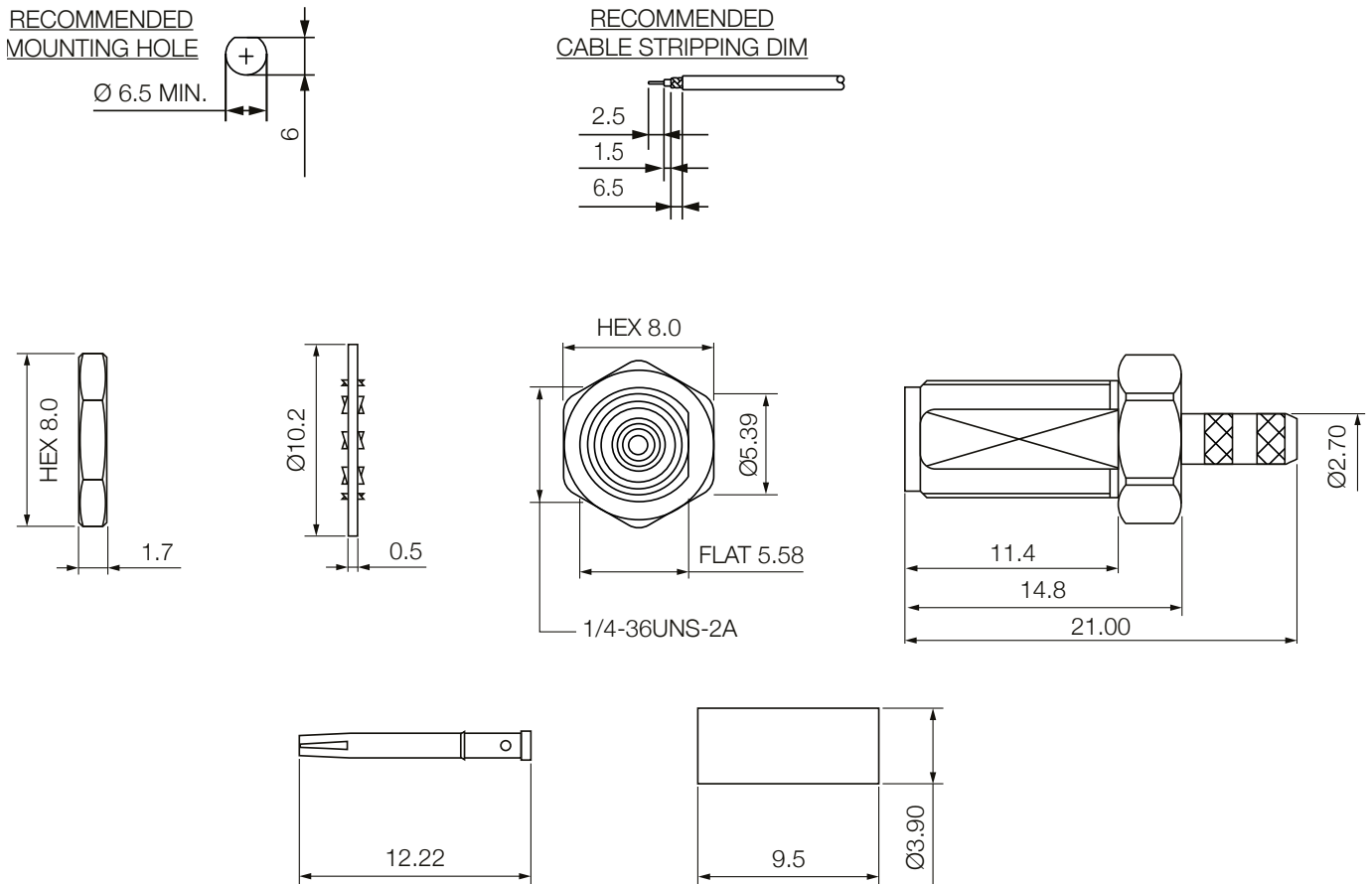
RECOMMENDED
CABLE STRIPPING DIM

No.	Description	Material	Quantity
1	Cover	Brass	1
2	Insulator A	Teflon	1
3	Body	Be.Cu	1
4	Insulator B	Teflon	1
5	Ring	Brass	1
6	Pin	Brass	1
7	Ferrule	Brass	1

ASMKxxxX174S11

MMCX-Male Right Angle to SMA-Female Rear Mount Bulkhead RG174 Cable Assembly

SMA-F Detailed Drawing

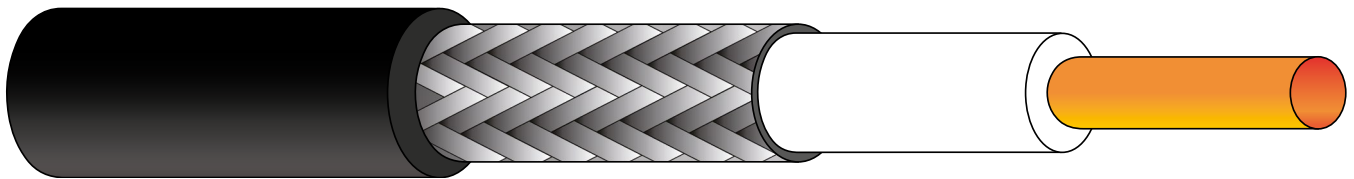
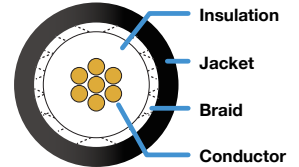


No.	Description	Material	Quantity
1	Body	Brass	1
2	Insulator A	Teflon	1
3	Center Pin	Be.Cu	1
4	Insulator B	Teflon	1
5	Sleeve	Brass	1
6	Washer	Brass	1
7	Nut	Brass	1

ASMKxxxX174S11

MMCX-Male Right Angle to SMA-Female Rear Mount Bulkhead RG174 Cable Assembly

Cross-Section Illustration



Jacket	Braided Shield	Insulation	Conductor
Material PVC	Material Tinned Copper Wire	Material XLPE	Material Silver-Coated Copper Clad Steel
Colour Black	Construction 16 / 5 / 0.1 mm	Minimum Thickness 0.455 mm	Construction 30AWG (7/0.102 mm)
Minimum Thickness 0.22 mm		Nominal Thickness 0.535	Diameter 0.31 mm
Nominal Thickness 0.43 mm		Diameter 1.55 ± 0.05 mm	
Diameter 2.70 ± 0.10 mm			

Electrical Specifications

Impedance:	10 MHz ~ 3 GHz	50 ± 3 Ω
Mutual Capacitance:	1 KHz Between conductor and shielding	100 ± 8 pF/m
Conductor Resistance:	20°C	142.6 Ω/Km (Maximum)
Insulation Resistance:	20°C DC 500V	1000 MΩ-Km (Minimum)
Voltage Rating:		30V
Temperature Rating:		80°C

Attenuation (across frequency)

Frequency	100 MHz	400 MHz	1 GHz	3 GHz
dB/1000m	359	655	1175	2103
dB/1000ft	109.50	199.78	358.38	641.42