



Low Loss (SLL200) Cable

N-TYPE-Female To N-TYPE-Male



Key Features

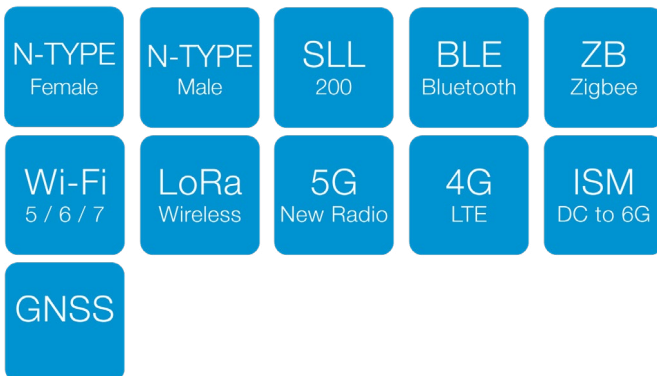
- Connector 1: N-TYPE Male Straight
- Connector 2: N-Type Female Straight
- Low Loss (SLL200) Coaxial Cable
- Impedance: 50Ω
- Lengths: 0.5M / 1.5 M / 3M /10M / 15M / 20M
- Suggested Working Frequency: DC to 6GHz

Typical Applications

- Low Loss RF cable for cellular routers, IoT devices, and lab testing.
- Quick-lock connectors with low-loss design for reliable performance and easy handling
- IoT, communications, and modular RF system, Wi-Fi/Bluetooth Devices and Medical Devices.

Environmental Specifications

- Operating Temperature: -40 to +90 °C
- RoHS and REACH compliant



Ordering Details:

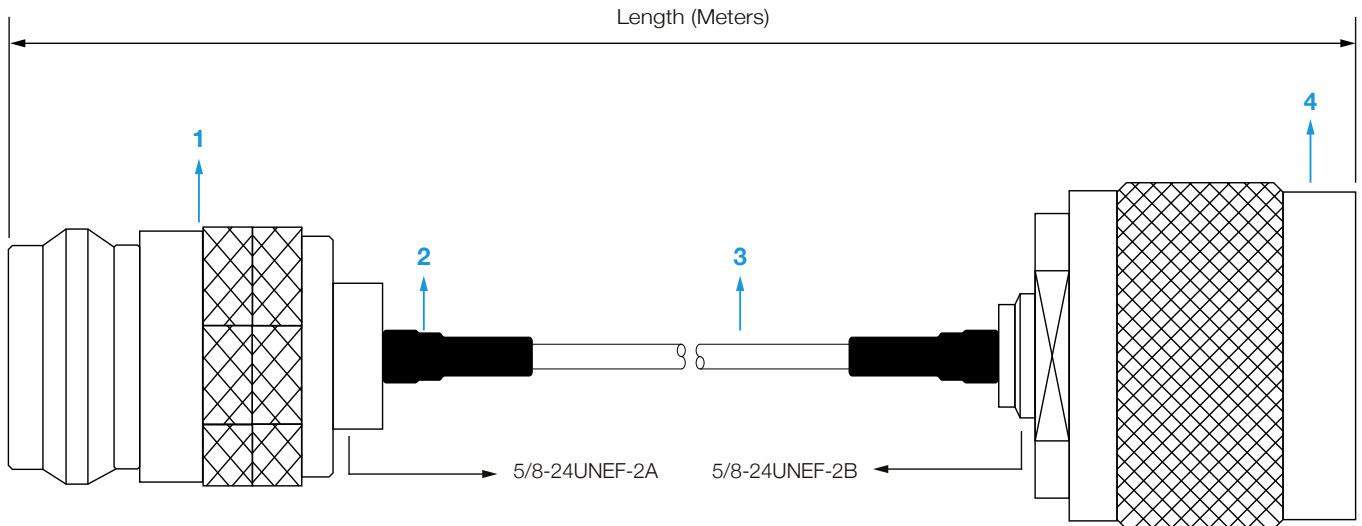
Part Number	Description
ASMR050N058L13	N-TYPE (F) to N-TYPE (M) 0.5 M Low Loss (SLL200) Cable Assembly
ASMR150N058L13	N-TYPE (F) to N-TYPE (M) 1.5 M Low Loss (SLL200) Cable Assembly
ASMR300N058L13	N-TYPE (F) to N-TYPE (M) 3 M Low Loss (SLL200) Cable Assembly
ASMR1000N058L13	N-TYPE (F) to N-TYPE (M) 10 M Low Loss (SLL200) Cable Assembly
ASMR1500N058L13	N-TYPE (F) to N-TYPE (M) 15 M Low Loss (SLL200) Cable Assembly
ASMR2000N058L13	N-TYPE (F) to N-TYPE (M) 20 M Low Loss (SLL200) Cable Assembly

Customisation Available: We also offer customisation of cable lengths to meet your specific requirements. Whether you need a shorter or longer cable, we can tailor the solution to fit your exact needs - siretta@sales.com

Low Loss (SLL200) Cable

N-TYPE-Female To N-TYPE-Male

Dimensional Drawing

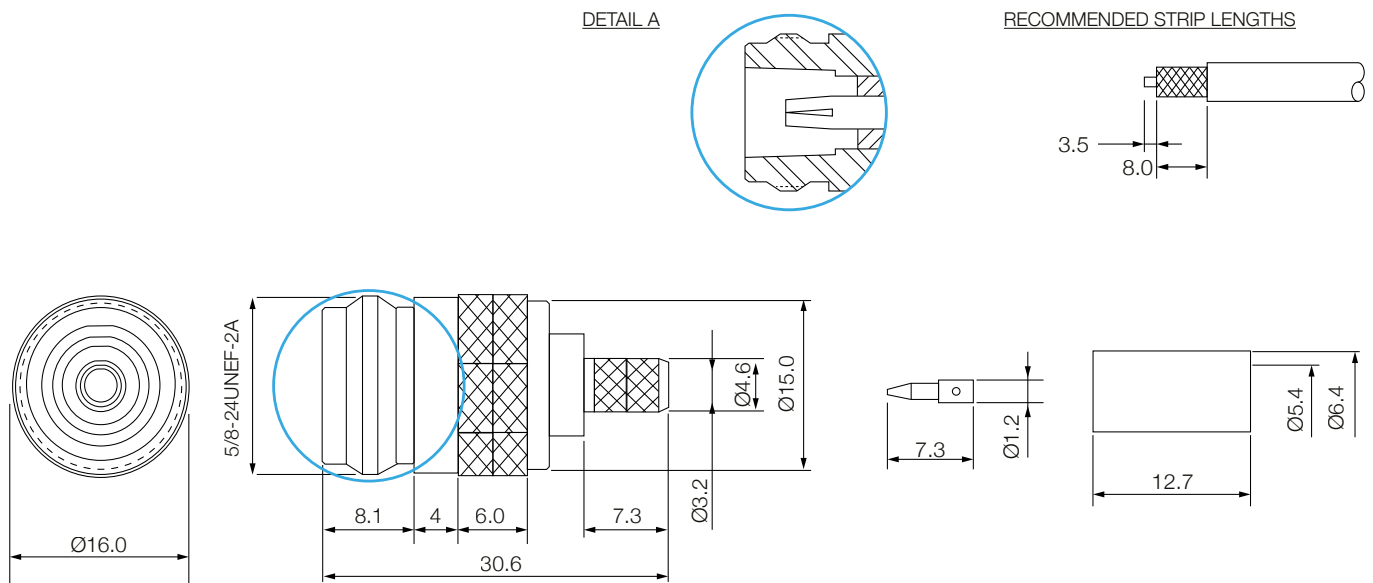


No.	Description	Quantity
1	N-TYPE Female	1
2	Heat Shrink (Black)	1
3	SLL200 Coaxial Cable	1
4	N-TYPE Male	1

Low Loss (SLL200) Cable

N-TYPE-Female To N-TYPE-Male

N-TYPE-Female Detailed Drawing



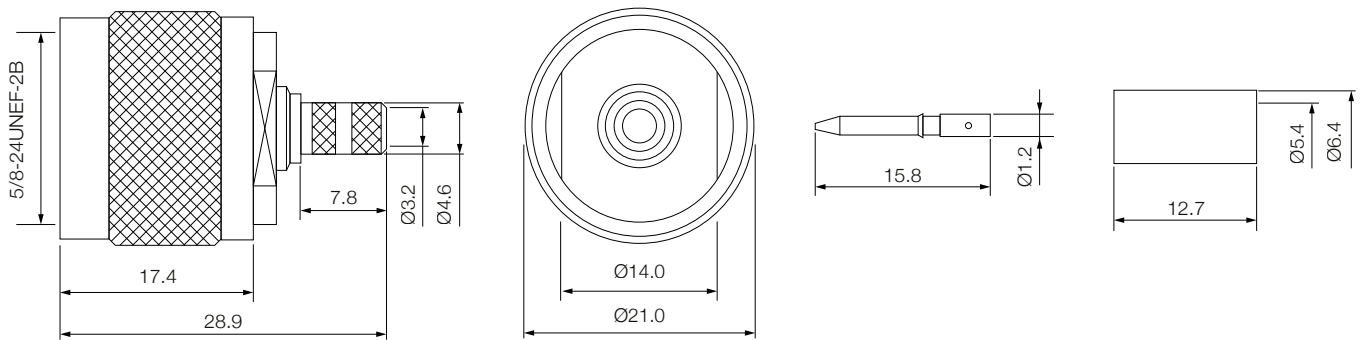
No.	Description	Material	Finish	Quantity
1	Body	Brass	Nickel	1
	Insulator	Teflon	None	1
	Pin	P.Bronze	Gold	1
2	Gasket	Brass	Gold	1
3	Inner Retaining Ring	Brass	Nickel	1

Low Loss (SLL200) Cable

N-TYPE-Female To N-TYPE-Male

N-TYPE-Male Detailed Drawing

RECOMMENDED STRIP LENGTHS

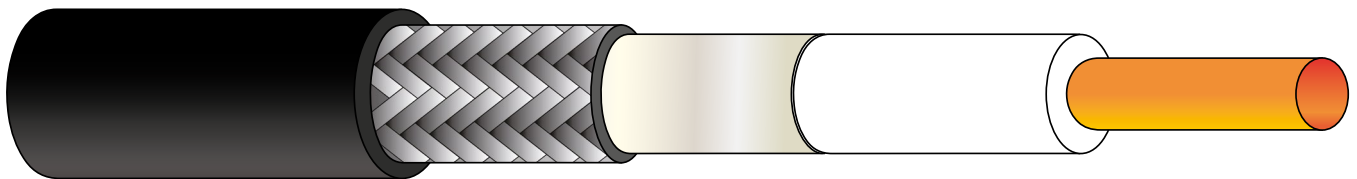
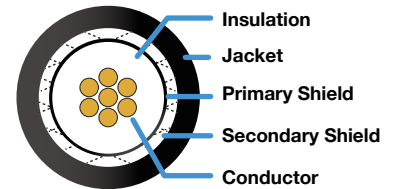


No.	Description	Material	Finish	Quantity
1	Body	Brass	Nickel	1
2	Insulator	Teflon	None	1
3	Shell	Brass	Nickel	1
4	C-Ring	SUS304	None	1
5	Gasket	Silicone Rubber	None	1
6	Contact	Brass	Gold	1
7	Ferrule	Brass	Nickel	1

Low Loss (SLL200) Cable

N-TYPE-Female To N-TYPE-Male

SLL200 Coaxial Cable Specification



Jacket	Secondary Shield	Primary Shield	Insulation	Conductor
Material PE	Material Tinned copper wire braid	Material Bonded Aluminium Foil	Material FEP	Material Bare copper
Colour Black	Average Thickness 0.295 mm	Average Thickness 0.06 mm	Average Thickness 0.22 mm	Diameter 1.12 mm
Average Thickness 0.645 mm	Coverage 90%		Colour White	
Diameter 4.95 mm	Diameter 3.66 mm	Diameter 3.07 mm	Diameter 2.95 mm	

Electrical Specifications

Impedance:	50±3 Ω
Return Loss:	> 20 dB
Screening Effectiveness:	> 90 dB
Capacitance:	80.3 pF/M
Velocity of Propagation	80.3%
Spark Test:	3 KV
Inner Conductor DCR:	17.6Ω
Outer Shield DCR:	16.1Ω



Low Loss (SLL200) Cable

N-TYPE-Female To N-TYPE-Male

Physical Specifications

Operating Temperature range: -40°C ~ +85°C

Storage Temperature range: -40°C ~ +85°C

Attenuation (across frequency)

Frequency (MHz)	30	50	150	450	900	1500	1800	2000	2500	5800
dB/1m	0.058	0.075	0.131	0.228	0.326	0.424	0.466	0.493	0.554	0.865
dB/ft	0.018	0.023	0.040	0.069	0.099	0.129	0.142	0.150	0.169	0.264