

ASMDxxxC058L13

RP-SMA(F) To RP-SMA(M) Low Loss (SLL200) Patch Cable Assembly



Key Features

- Connector 1: RP-SMA Female
- Connector 2: RP-SMA Male
- Low Loss (SLL200) Coaxial Cable
- Impedance: 50Ω
- Lengths: 1M / 2M / 3M / 5M / 10M / 15M / 20M Customisation Available
- Suggested Working Frequency: DC to 6GHz

Typical Applications

- RF Patch Cable with RP-SMA(F) and RP-SMA(M)
- Cellular Modules, Wi-Fi/Bluetooth Devices, Drones/Robotics, Medical Devices and Wearable Devices.

Environmental Specifications

- Operating Temperature: -40 to +90 °C
- RoHS and REACH compliant

Ordering Details:

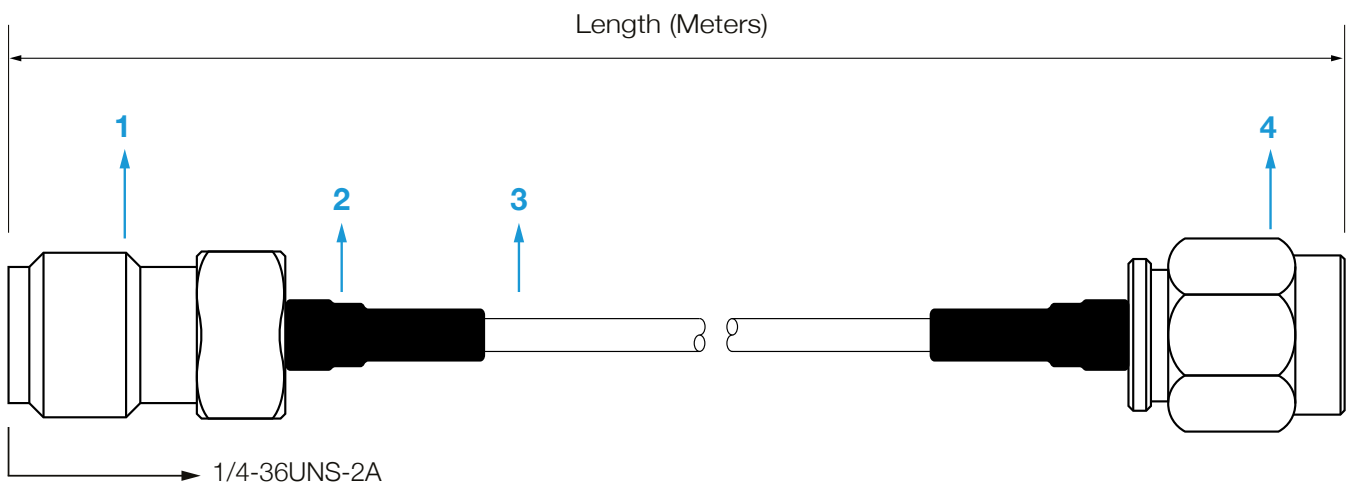
Part Number	Description
ASMD100C058L13	RP-SMA(F) to RP-SMA(M) 1M Low Loss (SLL200) Patch Cable Assembly
ASMD200C058L13	RP-SMA(F) to RP-SMA(M) 2M Low Loss (SLL200) Patch Cable Assembly
ASMD300C058L13	RP-SMA(F) to RP-SMA(M) 3M Low Loss (SLL200) Patch Cable Assembly
ASMD500C058L13	RP-SMA(F) to RP-SMA(M) 5M Low Loss (SLL200) Patch Cable Assembly
ASMD1000C058L13	RP-SMA(F) to RP-SMA(M) 10M Low Loss (SLL200) Patch Cable Assembly
ASMD1500C058L13	RP-SMA(F) to RP-SMA(M) 15M Low Loss (SLL200) Patch Cable Assembly
ASMD2000C058L13	RP-SMA(F) to RP-SMA(M) 20M Low Loss (SLL200) Patch Cable Assembly

Customisation Available: We also offer customisation of cable lengths to meet your specific requirements. Whether you need a shorter or longer cable, we can tailor the solution to fit your exact needs - siretta@sales.com

ASMDxxxC058L13

RP-SMA(F) To RP-SMA(M) Low Loss (SLL200) Patch Cable Assembly

Dimensional Drawing



Electrical Data

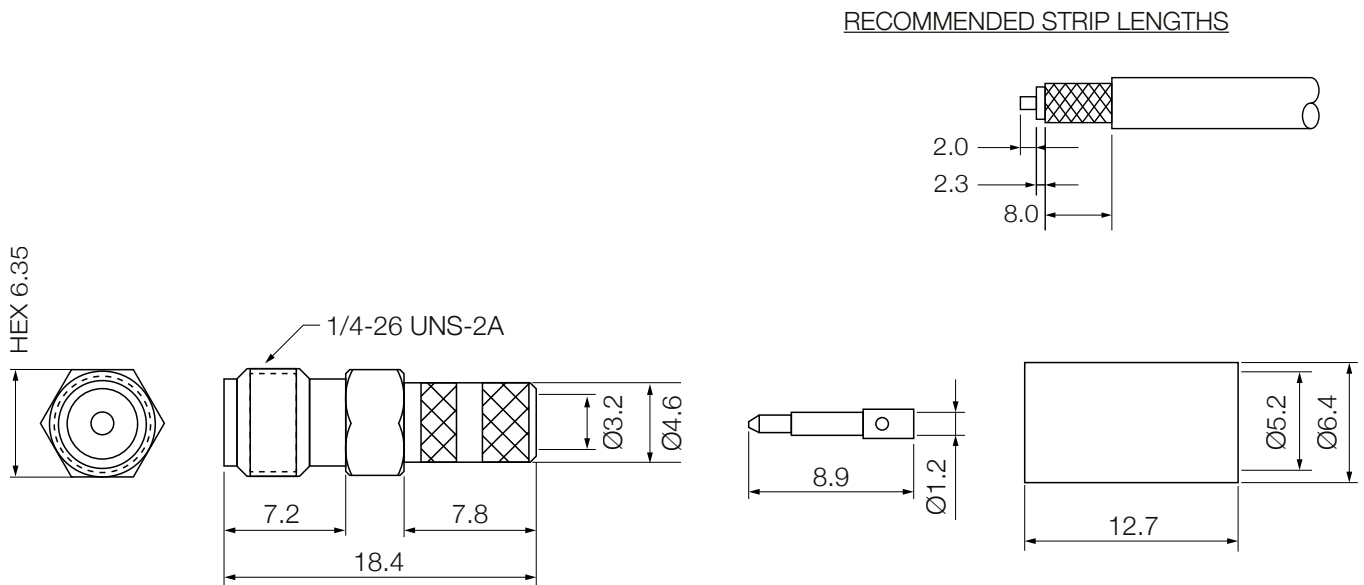
- 100% continuity, short circuit test.
- Impedance: 50 Ω

No.	Description	Quantity
1	RP-SMA Female	1
2	Heat Shrink (Black)	1
3	SLL200 Coaxial Cable	1
4	Heat Shrink (Black)	1
5	RP-SMA Male	1

ASMDxxxC058L13

RP-SMA(F) To RP-SMA(M) Low Loss (SLL200) Patch Cable Assembly

RP-SMA (F) Detailed Drawing



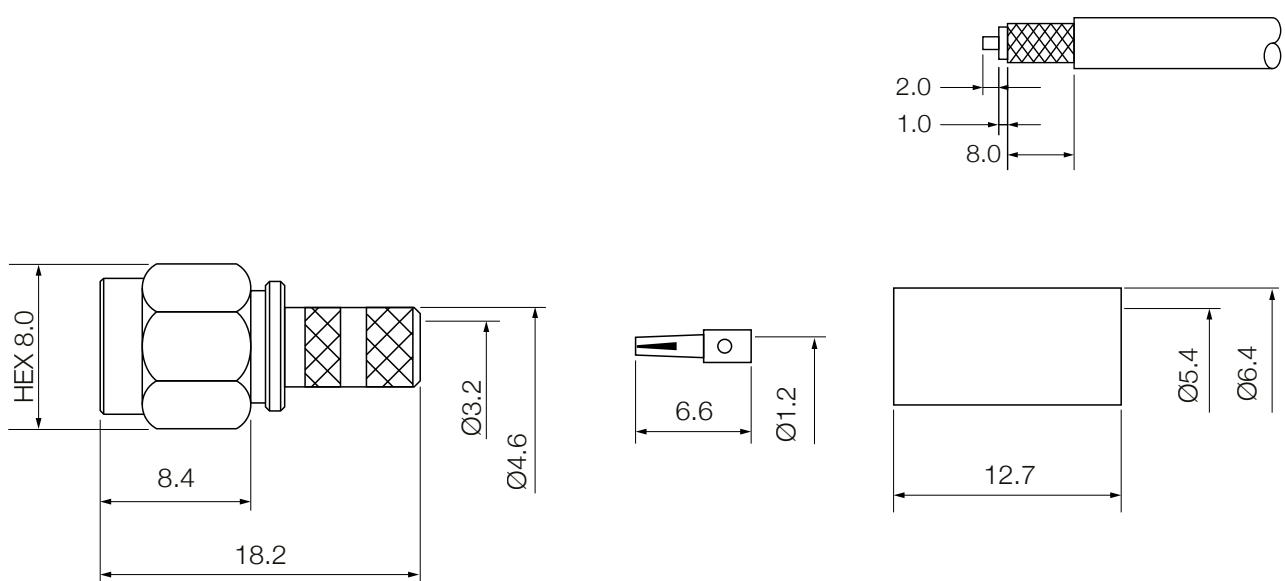
No.	Description	Material	Quantity
1	Body	Brass	1
2	Insulator	Teflon	1
3	Center Pin	Brass	1
4	Ferrule	Brass	1

ASMDxxxC058L13

RP-SMA(F) To RP-SMA(M) Low Loss (SLL200) Patch Cable Assembly

RP-SMA (M) Detailed Drawing

RECOMMENDED STRIP LENGTHS

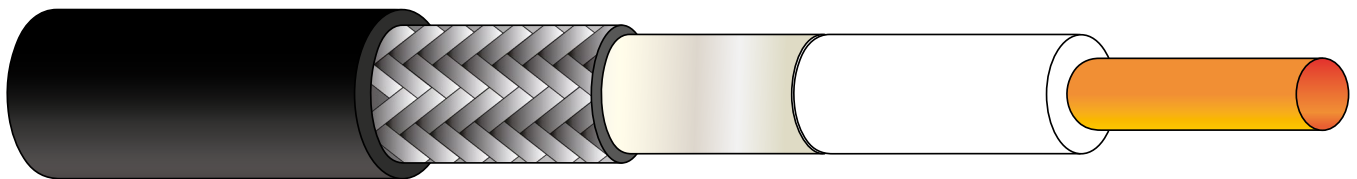
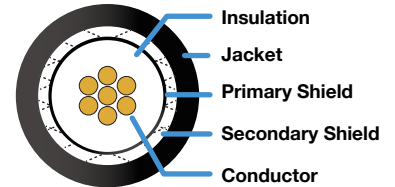


No.	Description	Material	Quantity
1	Body	Brass	1
2	Insulator	Teflon	1
3	Pin	Be.Cu	1
4	Gasket	Silicone Rubber	1
5	Inner Retaining Ring	Be.Cu	1
6	Ferrule	Brass	1

ASMDxxxC058L13

RP-SMA(F) To RP-SMA(M) Low Loss (SLL200) Patch Cable Assembly

SLL200 Coaxial Cable Specification



Jacket	Secondary Shield	Primary Shield	Insulation	Conductor
Material PE	Material Tinned copper wire braid	Material Bonded Aluminium Foil	Material FEP	Material Bare copper
Colour Black	Average Thickness 0.295 mm	Average Thickness 0.06 mm	Average Thickness 0.22 mm	Diameter 1.12 mm
Average Thickness 0.645 mm	Coverage 90%		Colour White	
Diameter 4.95 mm	Diameter 3.66 mm	Diameter 3.07 mm	Diameter 2.95 mm	

Electrical Specifications

Impedance:	50±3 Ω
Return Loss:	> 20 dB
Screening Effectiveness:	> 90 dB
Capacitance:	80.3 pF/M
Velocity of Propagation	80.3%
Spark Test:	3 KV
Inner Conductor DCR:	17.6Ω
Outer Shield DCR:	16.1Ω
Voltage withstand:	1 KV



ASMDxxxC058L13

RP-SMA(F) To RP-SMA(M) Low Loss (SLL200) Patch Cable Assembly

Physical Specifications

Operating Temperature range: -40°C ~ +85°C

Storage Temperature range: -40°C ~ +85°C

Attenuation (across frequency)

Frequency (MHz)	30	50	150	450	900	1500	1800	2000	2500	5800
dB/1m	0.058	0.075	0.131	0.228	0.326	0.424	0.466	0.493	0.554	0.865
dB/ft	0.018	0.023	0.040	0.069	0.099	0.129	0.142	0.150	0.169	0.264