



## Ultra Band (SHC300) Cable Assembly

Precision SMA(F) To Precision SMA(M)



### Key Features

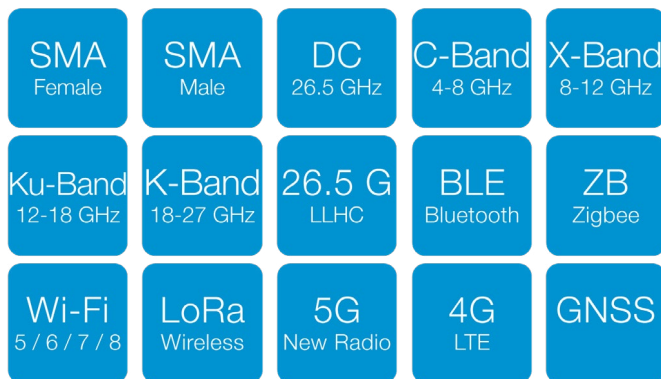
- Connector 1: Precision SMA Female
- Connector 2: Precision SMA Male
- Ultra Band (SHC300) Cable
- Impedance: 50Ω
- Lengths: 200mm, 400mm, 500mm, 600mm, 1000mm, 2000mm, Customisation Available
- Suggested Working Frequency: DC to 26.5GHz

### Typical Applications

- RF Test Cable with SMA(M) and SMA(M)
- Cover C-band, X-band, Ku-band, K-band
- Suitable for satcom, radar, defense, 5G backhaul, and automotive radar as well as test and measurement applications

### Environmental Specifications

- Operating Temperature: -40 to +90 °C
- RoHS and REACH compliant



### Ordering Details:

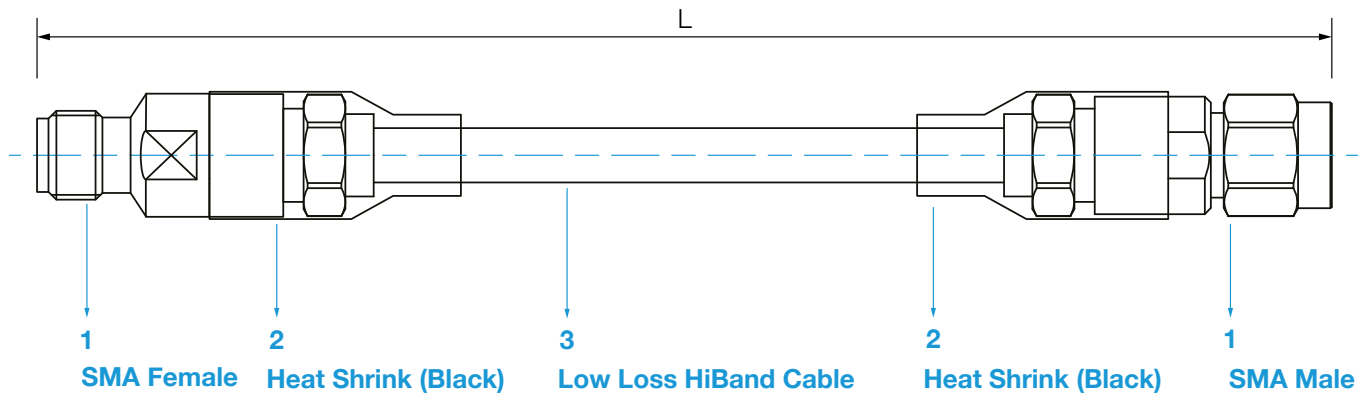
Part Number	Description
ASMA020B300G48	SMA Female To SMA Male 200mm Ultra Band (SHC300) Cable
ASMA040B300G48	SMA Female To SMA Male 400mm Ultra Band (SHC300) Cable
ASMA050B300G48	SMA Female To SMA Male 500mm Ultra Band (SHC300) Cable
ASMA060B300G48	SMA Female To SMA Male 600mm Ultra Band (SHC300) Cable
ASMA100B300G48	SMA Female To SMA Male 1000mm Ultra Band (SHC300) Cable
ASMA200B300G48	SMA Female To SMA Male 2000mm Ultra Band (SHC300) Cable

**Customisation Available:** We also offer customisation of cable lengths to meet your specific requirements. Whether you need a shorter or longer cable, we can tailor the solution to fit your exact needs - [siretta@sales.com](mailto:siretta@sales.com)

## Ultra Band (SHC300) Cable Assembly

Precision SMA(F) To Precision SMA(M)

### Dimensional Drawing



### Configuration

Connector 1 Type:	SMA Female
Connector 1 Body Style:	Straight
Body Material and Plating:	Passivated Stainless Steel
Connector 2 Type:	SMA Male
Connector 2 Body Style:	Straight
Body Material and Plating:	Passivated Stainless Steel

### Electrical Specifications

Impedance:	50 $\Omega$
Frequency:	DC to 26.5 GHz
Return Loss/VSWR:	1.25 to 18 GHz; 1.35 to 26.5 GHz
Phase Stability vs. Flexure:	3° @ 10GHz, 5° @ 18GHz, 8° @ 26.5GHz
Shielding Effectiveness:	< -90 dB @ 1GHz
Power Handling:	200 watt @ 5GHz at sea level, VSWR 1.0



## Ultra Band (SHC300) Cable Assembly

Precision SMA(F) To Precision SMA(M)

### Cable Specifications

Center Conductor:	Silver plated copper
Dielectric	ePTFE
Jacket	FEP
Velocity of Propagation (%)	85
Min. Bending Radius (mm)	6.35
Jacket Diameter (mm)	3.60 ± 0.13

### Environmental Data

Temperature Range	-55°C to +165°C
-------------------	-----------------

### Insertion Loss Table

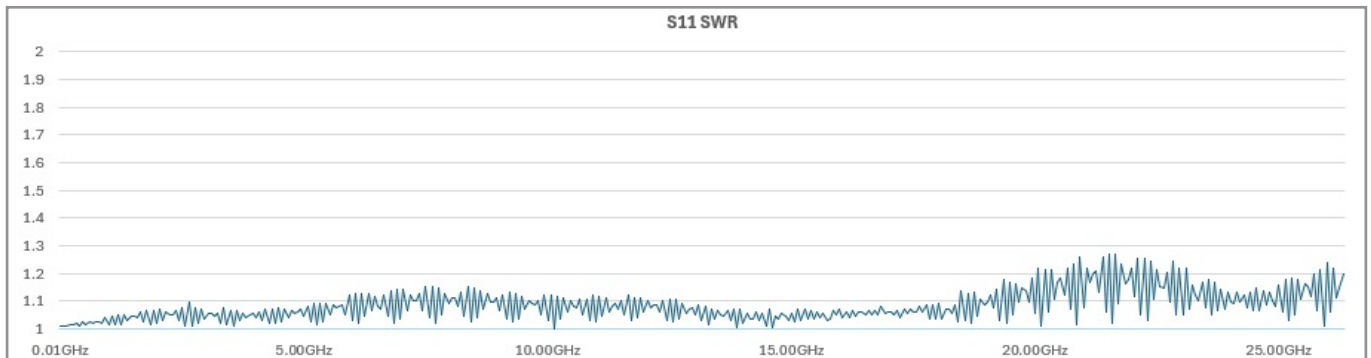
Length (mm)	Insertion Loss ≤(dB)		
	10 GHz	18 GHz	26.5 GHz
8000 ± 40	9.94	13.64	17.96
3000 ± 15	3.89	5.34	7.16
2000 ± 10	2.68	3.68	4.86
1500 ± 10	2.08	2.85	3.75
1200 ± 10	1.72	2.35	3.12
1000 ± 10	1.47	2.02	2.68
600 ± 5	0.98	1.36	1.79
500 ± 5	0.87	1.19	1.59
400 ± 5	0.75	1.02	1.36
200 ± 3	0.53	0.72	0.91

## Ultra Band (SHC300) Cable Assembly

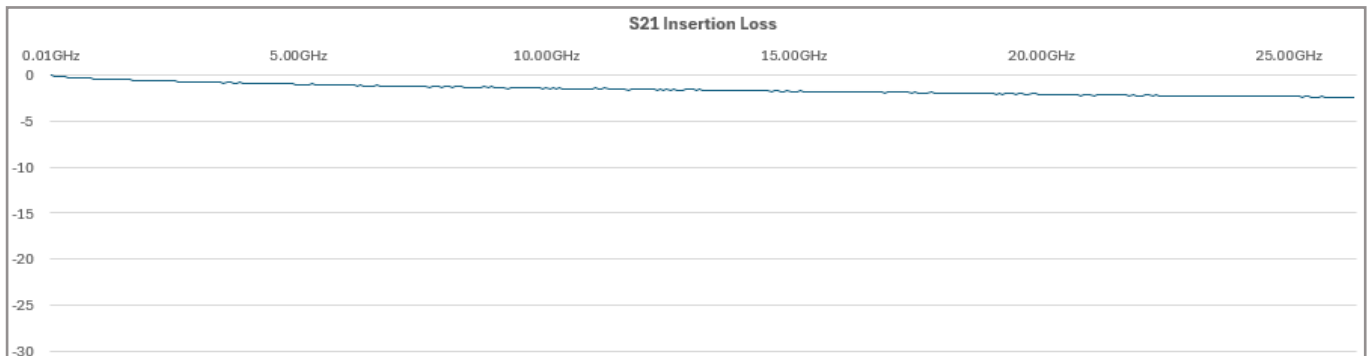
Precision SMA(F) To Precision SMA(M)

### Cable Performance - 1 Meter

#### VSWR



#### Insertion Loss



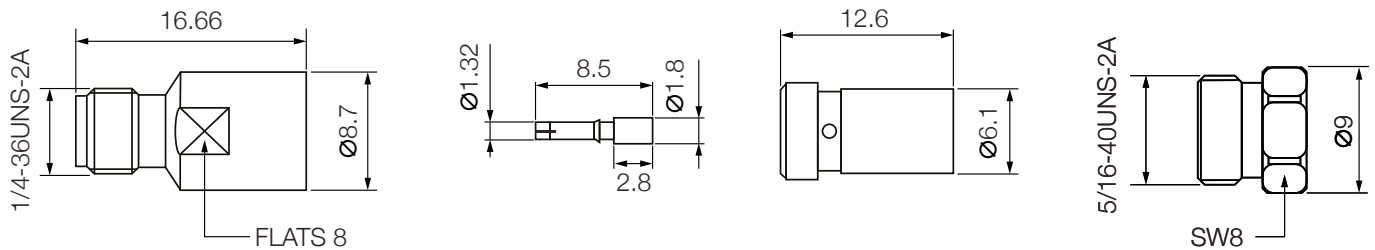
### RF Sweep Measurement Configuration

Sweep Type	Start Freq (GHz)	Stop Freq (GHz)	Sweep Points	Bandwidth (Hz)	Sweep Tims (s)	Port 1, 2 Power (dBm)
Linear Freq	0.01	26.5	401	1000	0.380917	-5-5

## Ultra Band (SHC300) Cable Assembly

Precision SMA(F) To Precision SMA(M)

### Precision SMA-Female Detailed Drawing

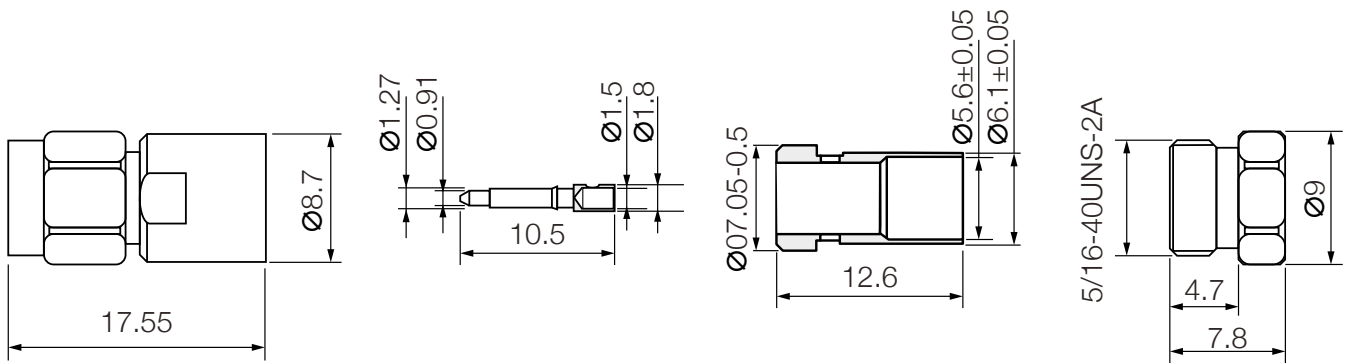


No.	Description	Material	Quantity
4	Nut	Passivated Stainless Steel	1
3	Welding Sleeve	Brass Gold Plated	1
2	Center Pin	Brass Gold Plated	1
1	Body	Passivated Stainless Steel	1

## Ultra Band (SHC300) Cable Assembly

Precision SMA(F) To Precision SMA(M)

### Precision SMA-Male Detailed Drawing



No.	Description	Material	Quantity
4	Nut	Passivated Stainless Steel	1
3	Welding Sleeve	Brass Gold Plated	1
2	Center Pin	Brass Gold Plated	1
1	Body	Passivated Stainless Steel	1