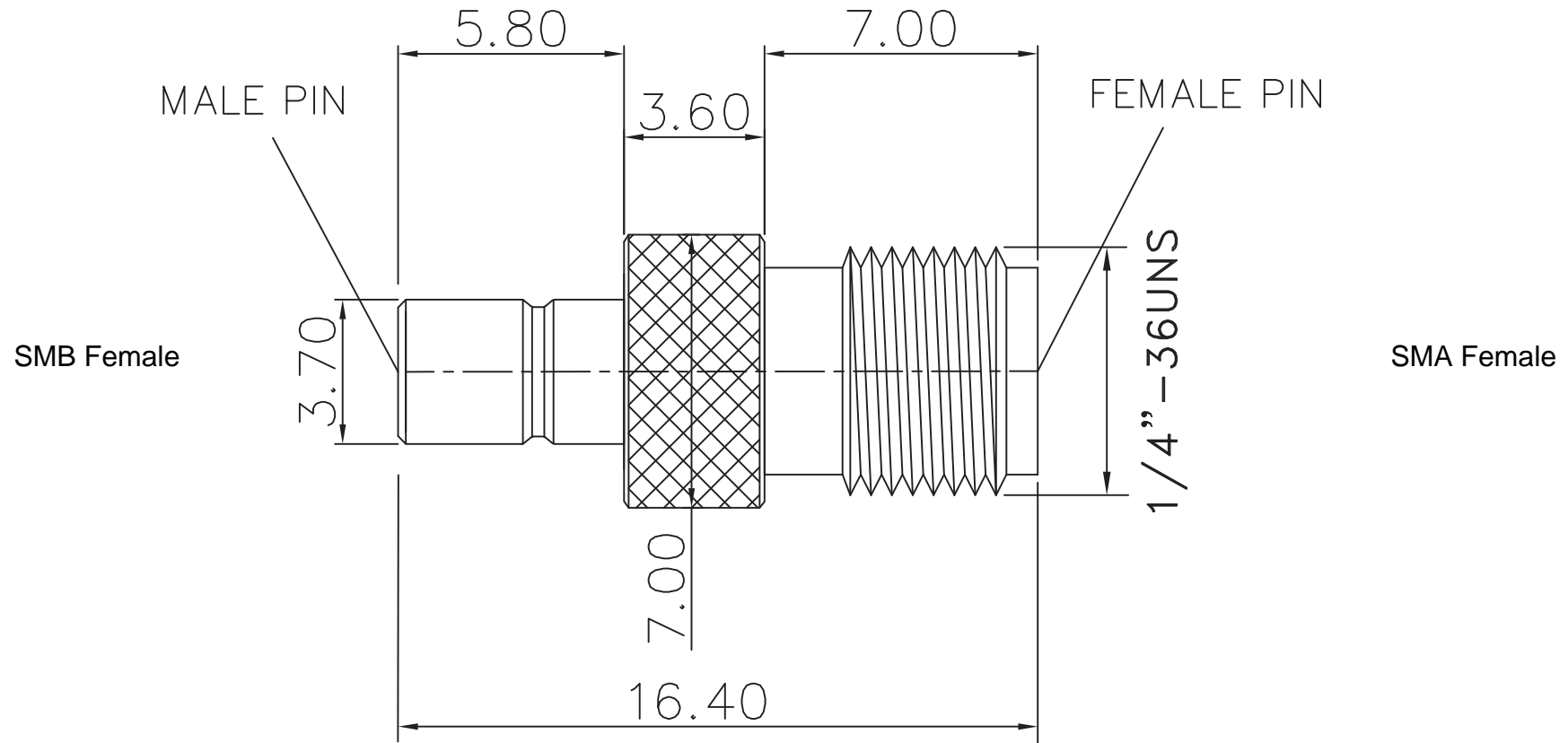


REV	DESCRIPTION	DRAWN	DATE



NO	Description	Q'ty	Material	Finish	UNLESS OTHERWISE SPECIFIED	* MAJOR DIMENSION	APPROVED	TITLE		
3	PIN	1	Be Cu	GOLD	1.REMOVE ALL BURRS. 2.BREAK ALL CORNERS & EDGES CO.15 MAX. 3.CHAMFER 1ST & LAST THREADS 45° 4.DIAMETERS ON COMMON CENTERS. TO BE CONCENTRIC WITHIN 0.1 T.I.R. 5.ALL DIMENSIONS ARE AFTER PLATING.	UNLESS OTHERWISE NOTED TOLERANCES 0.5-6=±0.2 6-30=±0.4 30-120=±0.6 120-315=±1.0 ANGLES=±1°	Danny	SMB JACK TO SMA JACK		
2	INSULATOR	1	TEFLON	NONE			CHECKED Danny			
1	BODY	1	BRASS	GOLD			DRAWN Andrew	ADAPT-SMBF-SMAF	REV A	
					SCALE	8/1	UNIT	MM	DRAWN DATE 03/07/11	FILE NO.

