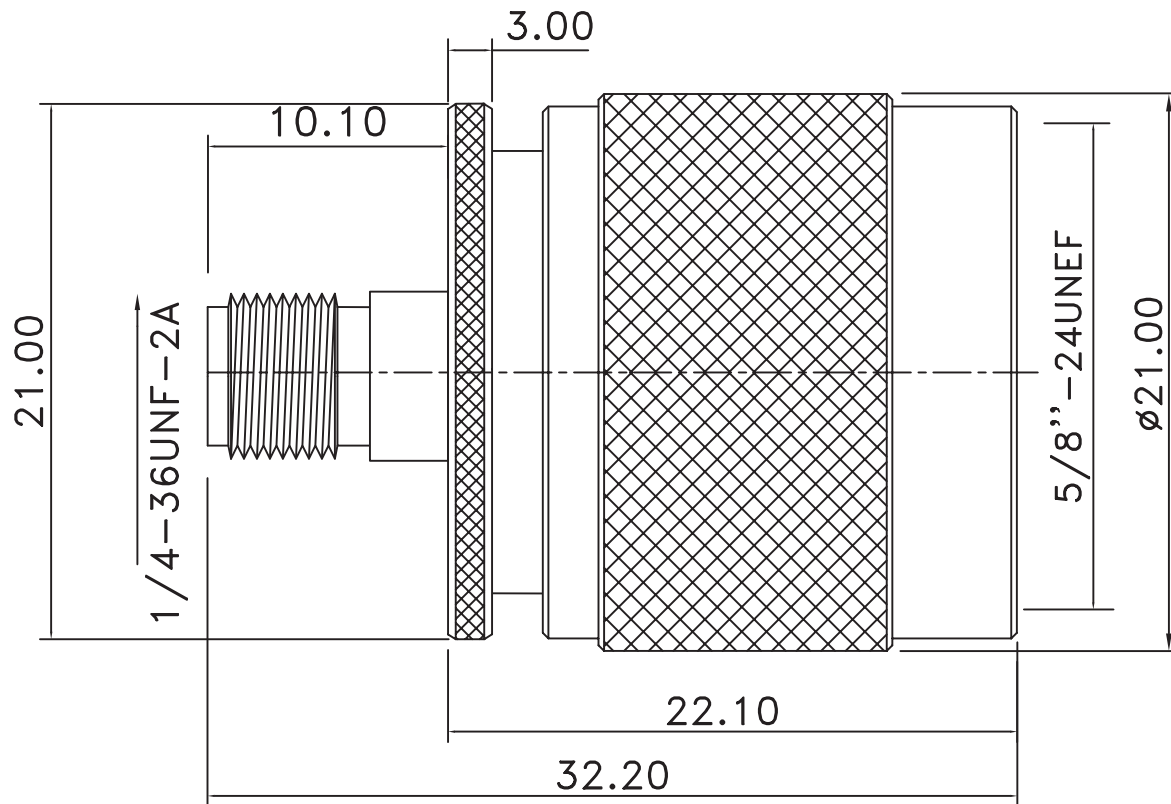




SMA Female



N-TYPE Male

8	Gasket(G-003-SI)	1	Si-rubber	Orange
7	Retaining ring(W-010)	1	Brass	Nickel
6	Shell(S-005)	1	Brass	Nickel
5	Ground ring(E-011)	1	Brass	Nickel
4	Dielectric(T-01024)	1	Teflon	White
3	Dielectric(T-00019)	1	Teflon	White
2	Pin(C-08020)	1	Brass	Gold
1	Body(B-08013)	1	Brass	Nickel
NO	Description	Q'ty	Material	Finish

UNLESS OTHERWISE SPECIFIED		* MAJOR DIMENSION		APPROVED			
1.REMOVE ALL BURRS. 2.BREAK ALL CONNERS & EDGES CO.15 MAX. 3.CHAMFER 1ST & LAST THREADS 45°. 4.DIAMETERS ON COMMON CENTERS. TO BE CONCENTRIC WITHIN 0.1 T.I.R. 5.ALL DIMENSIONS ARE AFTER PLATING.		UNLESS OTHERWISE NOTED TOLERANCES 0.8-3 0.2 6-30=±0.4 30-120=±0.6 120-315=±1.0 ANGLES=±1°		HF			
		SCALE 3/1 UNIT MM		CHECKED HF		TITLE N-TYPE MALE TO SMA FEMALE	
						DRAWING NO. ADAPT/N-TYPEM/SMAF	