



## Alpha 40

2G/3G/4G/WiFi Adhesive T-bar Antenna



### Key Features

- Balanced dipole design - ground plane independent
- Low Loss PRO100 cable
- Flexible antenna construction suitable for fitting to large-radius, curved surfaces

### General Description

The Alpha 40 has been tuned to give maximum gain at 4G (2600MHz) frequency but only slightly lower gain at 2G (1700-1900MHz) and 3G (2100MHz) frequencies.

The antenna has two sticky pads to mount it wherever it is required. The pads ensure there is a small gap between the antenna and the surface it is to be mounted on.

The Alpha 40 is supplied with different length cables and SMA Male connectors. Alternative cable lengths and connectors can be supplied for volume orders.

### Additional Considerations

- Simple installation with adhesive pads
- Reduced attenuation from Low Loss cable
- Meets all EU compliance criteria for electronic goods

A Adhesive	2G GSM	3G UMTS	4G LTE
ISM 868	ISM 915	LoRa Wireless	SF Sigfox
WLAN 2400	BLE Bluetooth	ZB Zigbee	ISM 2450

## Alpha 40

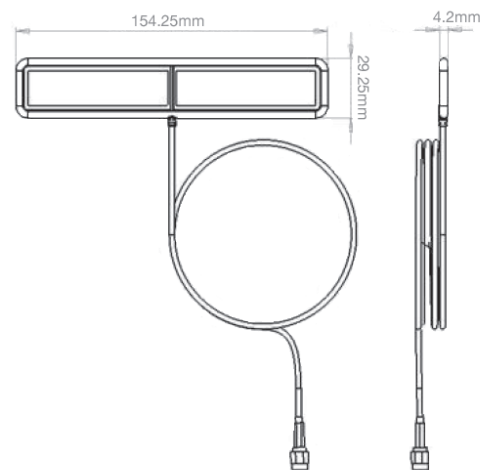
2G/3G/4G/WiFi Adhesive T-bar Antenna

### Electrical Specifications

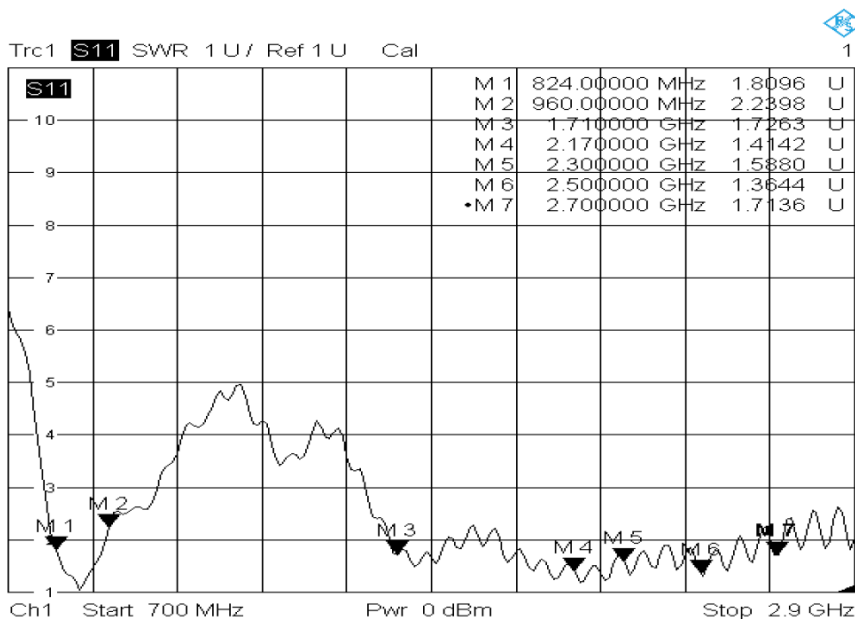
Operating Temperature range:	-30 - +60°C
Impedance:	50 Ohm
Peak Freq Band Gain:	0.5 / 1 / 2dBi
VSWR:	≤3:1
Beamwidth:	H-PLANE: 820~960MHz: 75° 1710~2170MHz: 47° 2300~2700MHz: 55°
Max Input Power:	1 Watt
Frequency:	824~960 / 1710 ~ 2170 / 2300 ~ 2700MHz
Polarization:	Vertical

### Mechanical Specifications

Dimensions:	154.25 x 29.25 x 4.2mm
Cable:	PRO100 low loss
Connector:	SMA Male
Radome Material:	PVC
Mounting Method:	Adhesive



### VSWR

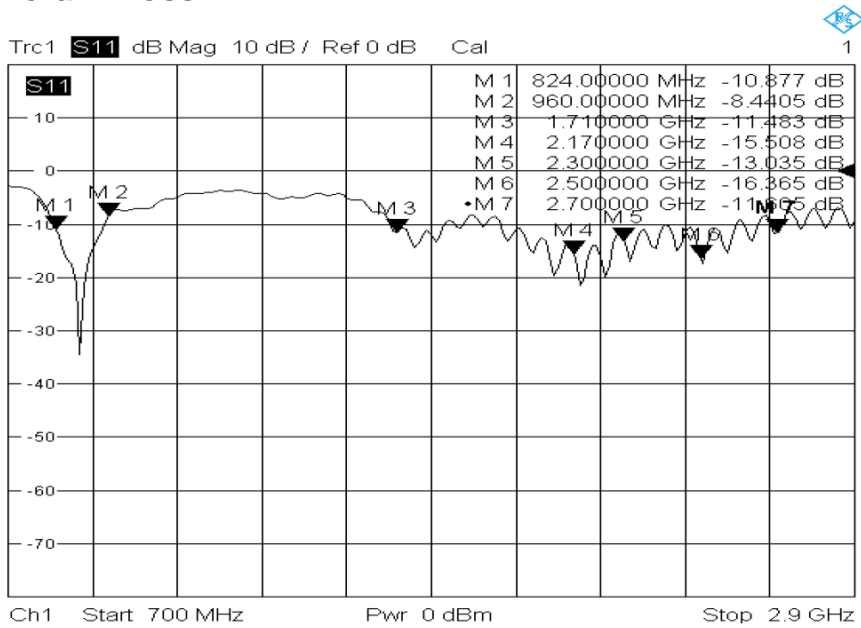




## Alpha 40

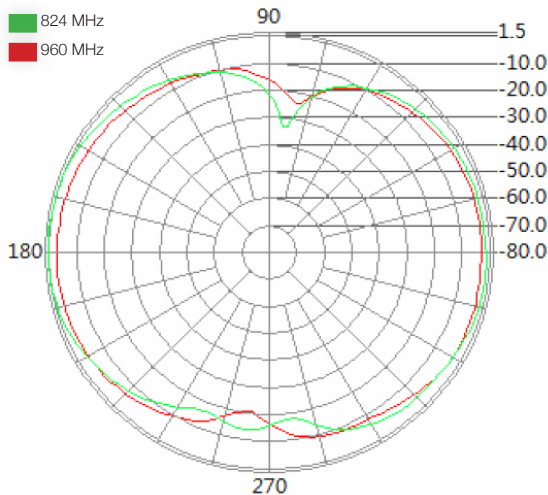
2G/3G/4G/WiFi Adhesive T-bar Antenna

### Return Loss

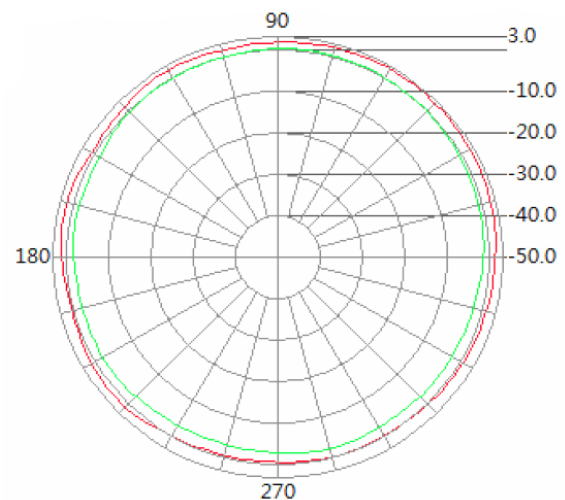


### Radiation Pattern

824 - 960MHz H Plane



E Plane

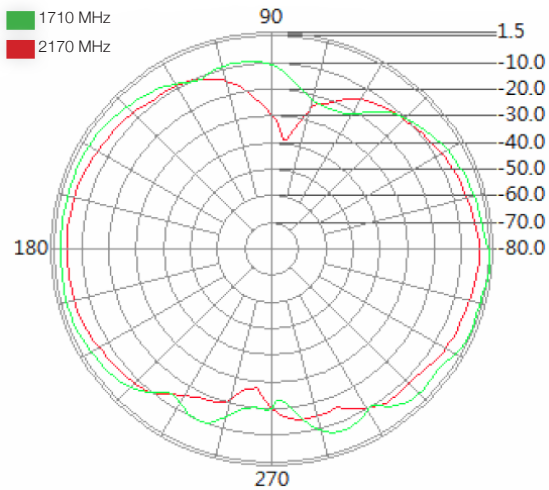




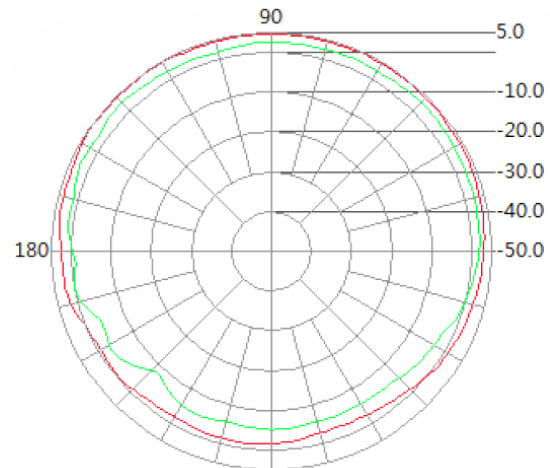
## Alpha 40

2G/3G/4G/WiFi Adhesive T-bar Antenna

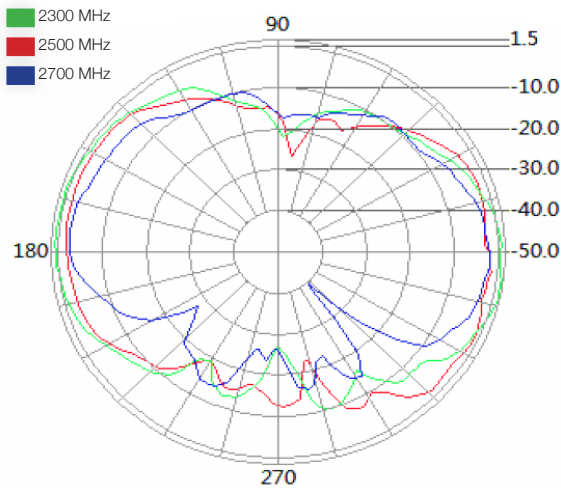
### 1710 - 2170MHz H Plane



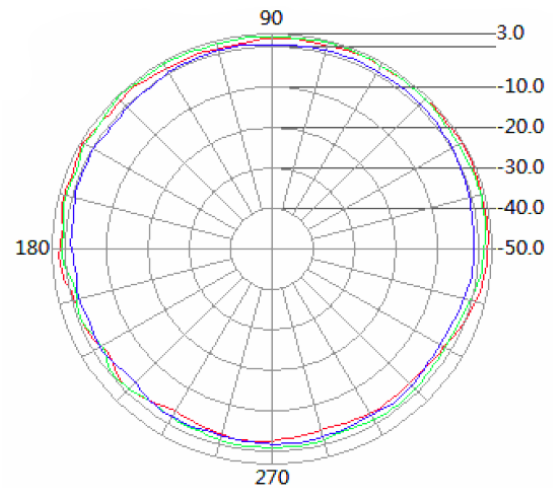
### E Plane



### 2300 - 2700MHz H Plane



### E Plane



## Ordering Details

Part Number	Description
ALPHA40/1.5M/SMAM/S/S29	T-bar 2G/3G/4G Antenna, 1.5m PRO 100 Cable, SMA Male Connector
ALPHA40/2.5M/SMAM/S/S29	T-bar 2G/3G/4G Antenna, 2.5m PRO 100 Cable, SMA Male Connector
ALPHA40/5M/SMAM/S/S29	T-bar 2G/3G/4G Antenna, 5m PRO 100 Cable, SMA Male Connector