



## Accessories

### L Shape Wall Mount Bracket for M6 and M12 Thread Base Antennas

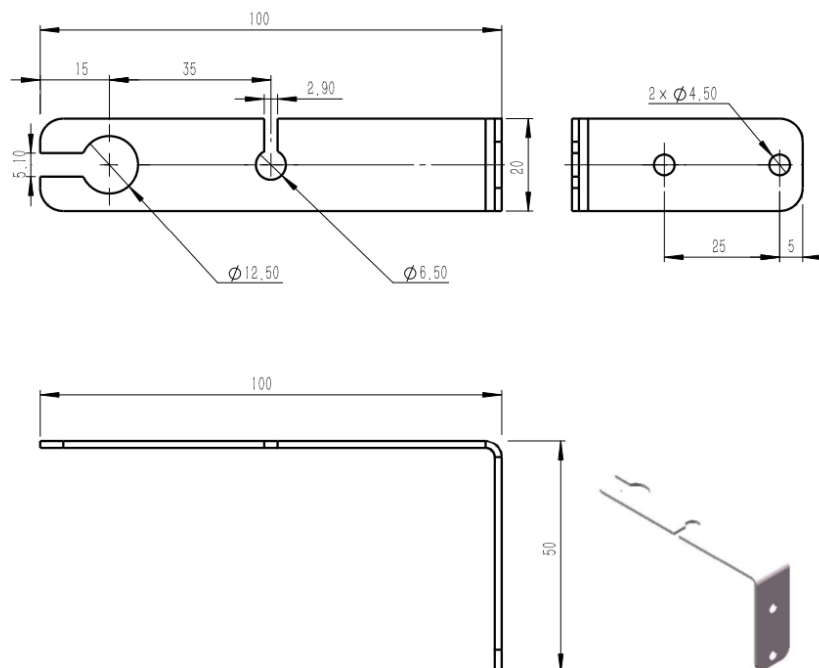
#### Key Features

- Simplify Antenna Installation
- Small and Cost Effective
- Suitable for a range of antennas



#### General Description

The M6/M12 antenna wallbracket is a simple low cost solution for mounting antennas on the wall rather than through an enclosure.





## Accessories

### L Shape Wall Mount Bracket for M6 and M12 Thread Base Antennas

#### Suitable Antennas - For Mounting Indoors

Part Number	Description
TANGO9/1.5M/SMAM/S/S/20	Omni 433MHz Antenna 3dBi Gain 1.5M Cable SMA Male Connector
TANGO9/5M/SMAM/S/S/20	Omni 433MHz Antenna 3dBi Gain 5M Cable SMA Male Connector
TANGO19/3M/SMAM/SMAM/S/S/20	Combined GSM/GPRS & GPS Puck Antenna 3M SMA Male (GSM/GPS)
TANGO22/2.5M/SMAM/SMAM/RP/SMAM/26	Combined 2G/GPRS/3G & WiFi & GPS Puck Antenna
TANGO22/2.5M/SMAM/SMAM/RP/SMAM/26	Combined 2G/GPRS/3G & WiFi & GPS Puck Antenna
TANGO24/1M/SMAM/S/RP/17	Through-hole mount 2.4GHZ WiFi/WLAN antenna 1M SMA Male RP
TANGO24/2.5M/SMAM/S/RP/17	Through-hole mount 2.4GHZ WiFi/WLAN antenna 2.5M SMA Male RP
TANGO27/2.5M/SMAM/S/S/17	Quad Band GSM/GPRS & 3G Puck Antenna 2.5M SMA Male
TANGO37/1M/SMAM/SMAM/S/S/17	LTE + 868MHz ISM band dual port panel mount puck antenna
TANGO37/2.5M/SMAM/SMAM/S/S/17	LTE + 868MHz ISM band dual port panel mount puck antenna
TANGO38/1M/SMAM/S/S/17	868MHz ISM band panel mounting puck antenna
TANGO38/2.5M/SMAM/S/S/17	868MHz ISM band panel mounting puck antenna
TANGO39/1M/SMAM/S/S/17	433MHz ISM band panel mounting puck antenna
TANGO39/2.5M/SMAM/S/S/17	433MHz ISM band panel mounting puck antenna
TANGO43/0.5M/SMAM/SMAM/RP/S/S/17	Combined LTE & WiFi antenna 0.5M SMA male for LTE & SMA male RP for WiFi
TANGO43/2.5M/SMAM/SMAM/RP/S/S/17	Combined LTE & WiFi antenna 2.5M SMA male for LTE & SMA male RP for WiFi
TANGO48/1M/SMAM/S/S/17	3G/4G Mini screw panel mount antenna
TANGO420/2.5M/SMAM/SMAM/S/S/17	4G LTE/3G MIMO, 2 port diversity panel mounting antenna

The TANGO range of antennas are designed for external mounting onto a waterproof enclosure. The base of the antenna seals onto the enclosure. When mounting the antenna onto a bracket this seal is not made. Mounting the TANGO range onto a bracket is therefore only suitable for indoor mounting.

The benefit of mounting the antenna on a bracket is to enable alternative positioning away from the device where other antenna designs have not suited the application.

Bear in mind that the lack of ground plane may affect antenna performance. ALWAYS test designs before committing to volume production.

#### Ordering Details

Part Number	Description
WALL BRACKET 1	L Shape Wall Mount Bracket for M6 or M12 Antenna Base