



## Delta 19

2.4Ghz 19 mm stubby WiFi / Bluetooth Antenna

### Key Features

- Miniature Covert 19 mm length
- SMA Male/SMA Male Reverse Polarity connector
- 5/8 wave design



### General Description

The Delta 19 is the smallest available, direct connect 2.4 GHz stubby antenna. The antenna is ideally suited for covert situations where limiting antenna size is a critical consideration.

The antenna is available with the SMA male and the Reverse polarity SMA male connectors.

The Delta 19 is commonly used with WiFi, Bluetooth and Zigbee applications.

### Additional Considerations

- Omnidirectional radiation
- Meets all EU compliance criteria for electronic goods





## Delta 19

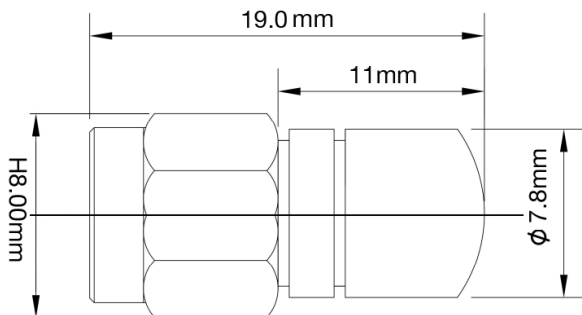
2.4GHz 19 mm stubby WiFi / Bluetooth Antenna

### Electrical Specifications

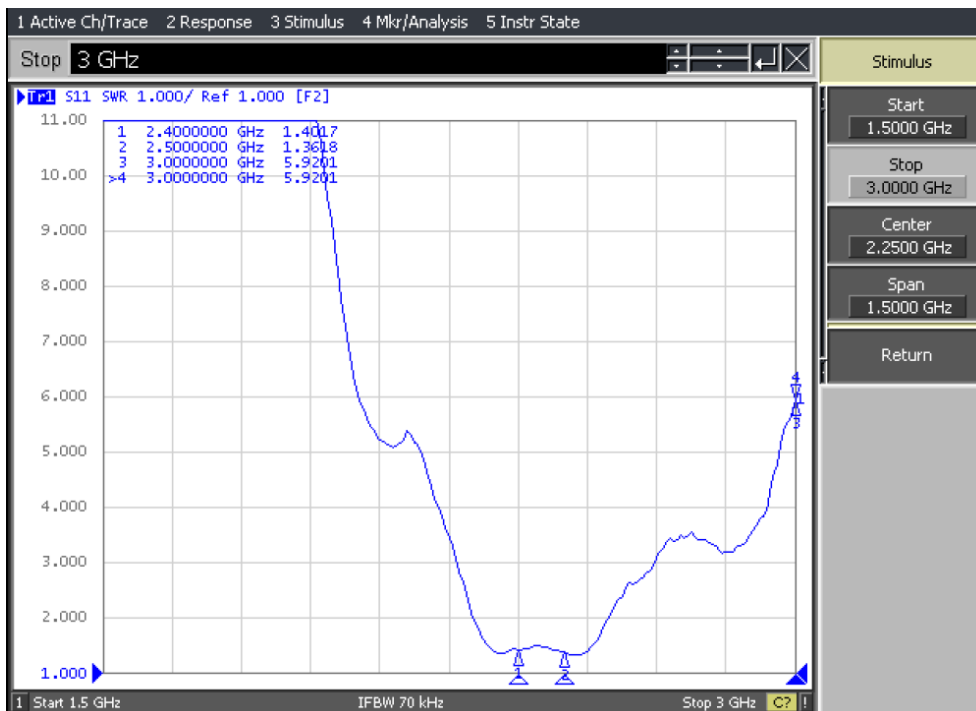
Impedance:	50 Ohm
Gain:	0 dBi
VSWR:	<2
Frequency:	2.4- 2.5 GHz
Electric wave:	5/8 monopole antenna

### Mechanical Specifications

Dimensions:	L19 x 7.8mmØ
Operating Temperature:	-25 to +75°C
Connector:	SMA Male Reverse Polarity
Mounting Method:	Direct Connect



### VSWR

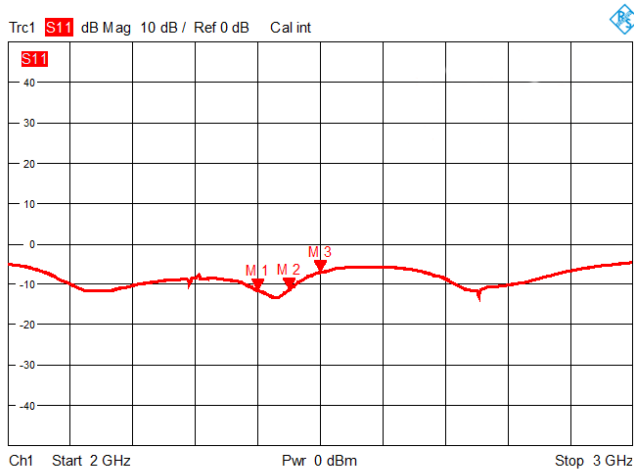




## Delta 19

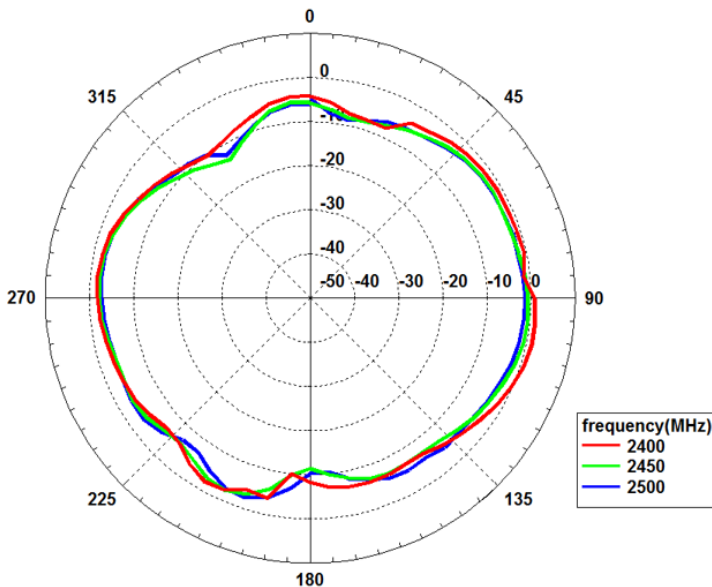
2.4GHz 19 mm stubby WiFi / Bluetooth Antenna

### Return Loss



M1: 2.4 GHz	11.512 dB
M2: 2.45 GHz	11.375 dB
M3: 2.5 GHz	7.000 dB

### Radiation Patterns



### Ordering Details

Part Number	Description
DELTA19/X/SMAM/RP/S/35	2.4GHz 19 mm stubby WiFi/Bluetooth antenna, SMA male reverse polarity connector