



Tango 41

2G/3G/4G/WiFi small footprint, bolt through Antenna

Key Features

- 5dBi gain at 4G/2600MHz
- Outdoor rugged antenna
- Integrated RF cable



General Description

The Tango 41 is a wide band outdoor antenna range aimed at the 4G/WiFi frequency but equally capable of 2G and 3G frequencies.

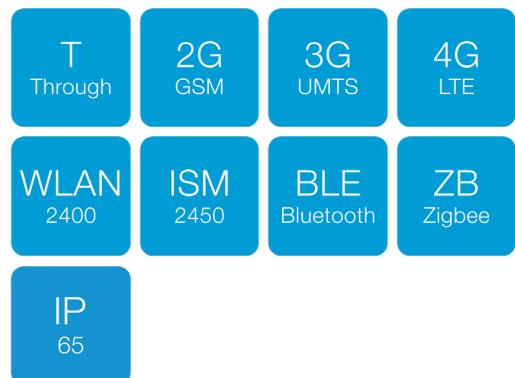
The antenna has a high peak gain of 5dBi in the upper frequency band and 1-3dBi peak performance in the mid and lower frequency band.

The Tango 41 has an integrated RF cable terminated with an SMA male connector.

Alternative connectors and cable lengths can be specified for volume orders.

Additional Considerations

- Integral rubber washer for exterior antenna use
- Omni directional radiation





Tango 41

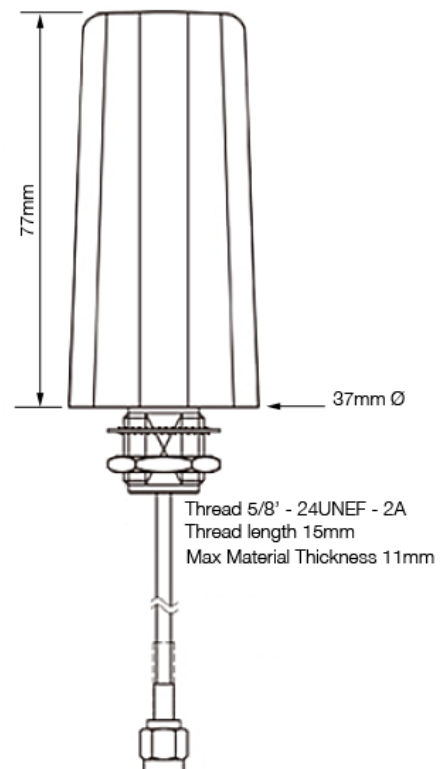
2G/3G/4G/WiFi small footprint, bolt through Antenna

Electrical Specifications

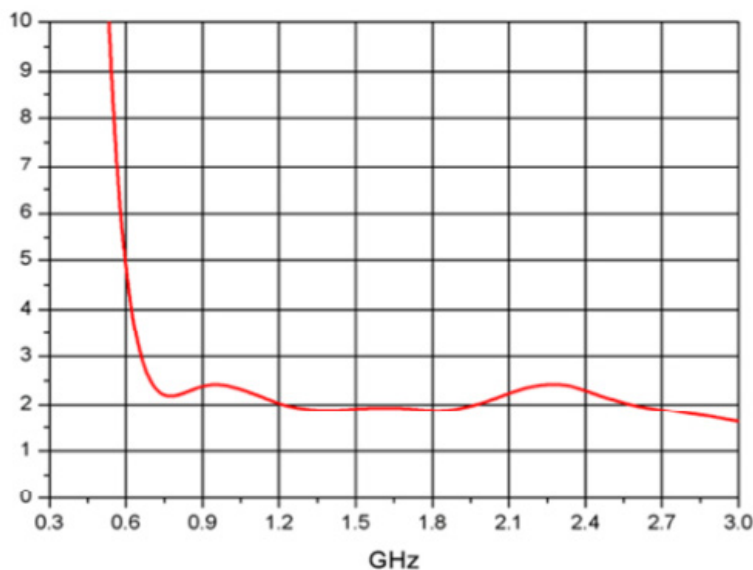
Operating temperature:	-20 - +65°C
Storage temperature:	-30 - +70°C
Impedance:	50 Ohm
Gain:	1 / 3 / 5dBi
VSWR:	≤3.0
Frequency range:	698 - 960MHz
	1710 - 2170MHz
	2300 - 2700MHz
Radiation:	Omni-directional
Polarization:	Vertical
HBPW ± 3dB@EPlane:	120° @ 698-960MHz @ EPlane
	50° @ 1710-2170MHz @ EPlane
	30° @ 2300-2700MHz @ EPlane
HBPW ± 3dB@HPlane:	360° @ 698-960MHz @ HPlane
	360° @ 1710-2170MHz @ HPlane
	360° @ 2300-2700MHz @ HPlane

Mechanical Specifications

Cable:	RG174
Connector:	SMA Plug



Return Loss / VSWR

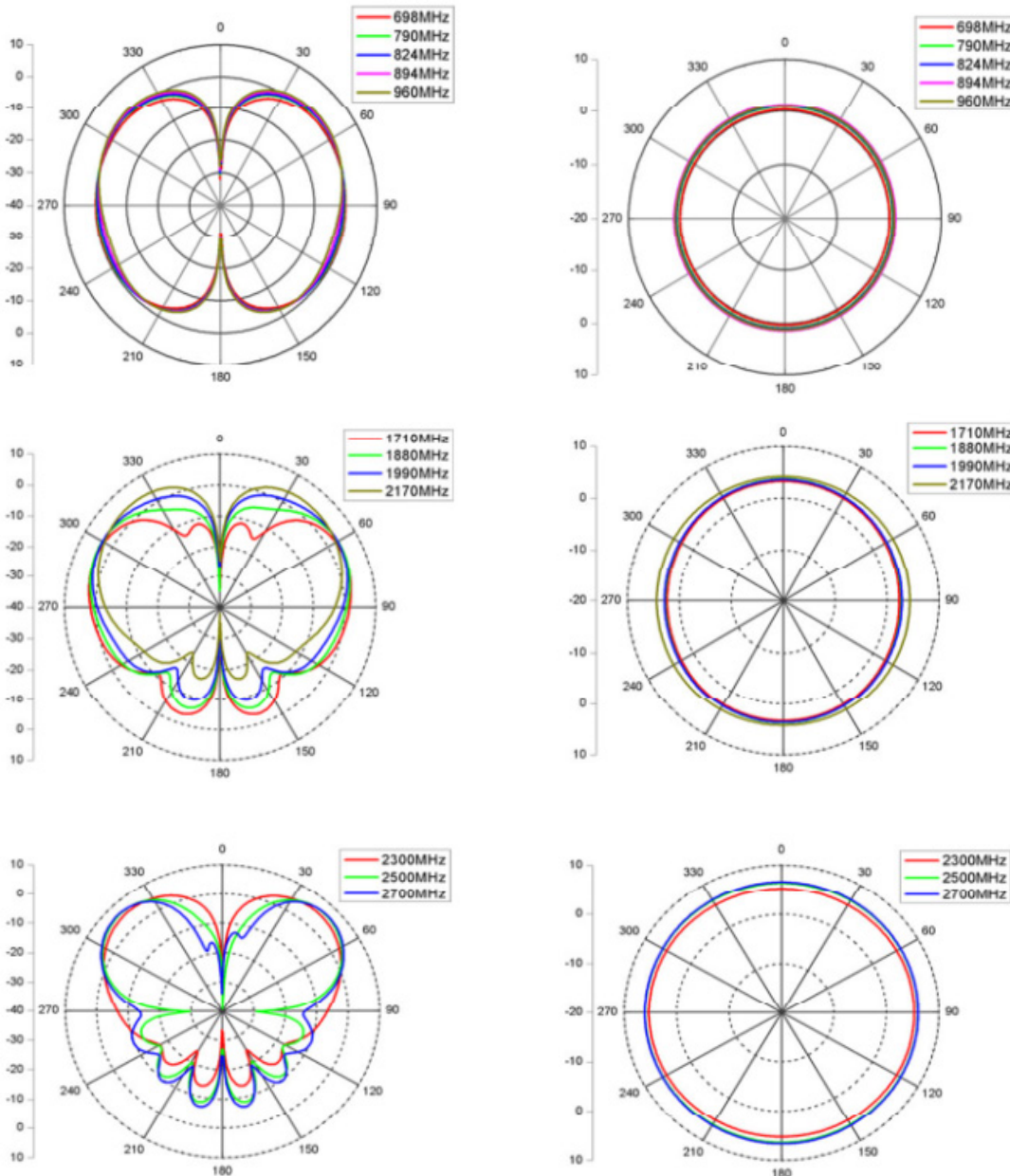




Tango 41

2G/3G/4G/WiFi small footprint, bolt through Antenna

Radiation Patterns



Ordering Details

Part Number	Description
TANGO41/1M/SMAM/S/S/15	2G/3G/4G/WiFi small footprint, bolt thru Antenna