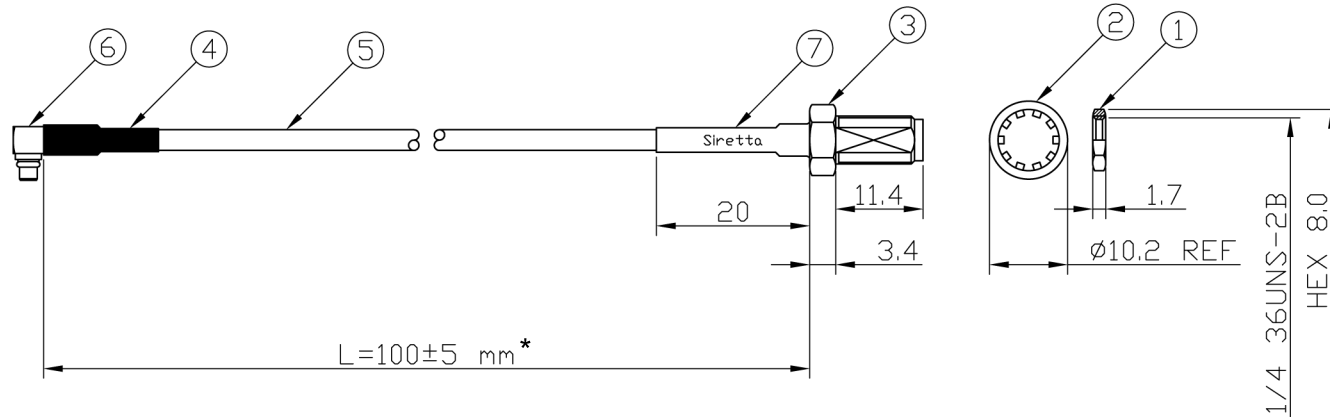


RoHS COMPLIANT



Note: The orientation on drawing is for reference only.

*150mm and 250mm variants also available(see ASMK010X174S11/ASMK010X174S11)

07	Heatshrink (White)	1		TITLE MMCX R/A Plug + RG174L100 + SMA bulk Jack
06	MMCX Right Angle Plug	1		
05	RG174-MIT coaxial cable (Black)	1		CUSTOMER P/N ASMK010X174S11
04	Heatshrink (Black)	1		
03	SMA Straight bulk Jack	1		UNIT mm
02	Washer	1		REV. 3
01	Nut	1		
NO	DESCRIPTION	Q'TY		

GENERAL TOLERANCES		SCALE	1 : 1
.X	NA	SIZE	A4
.XX	NA		
.XXX	NA		
ANGLES	NA	SHEET	1 of 1
(UNLESS OTHERWISE SPECIFIED)			